



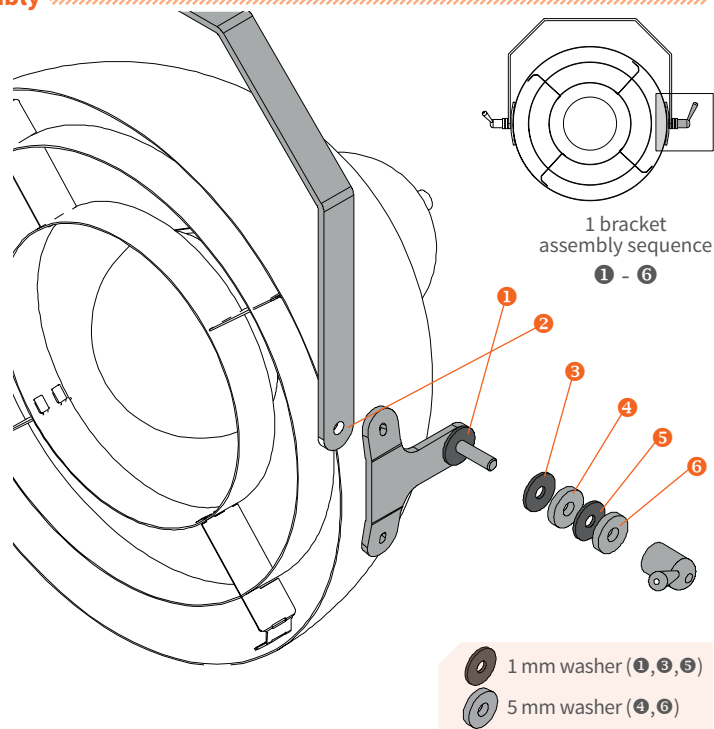
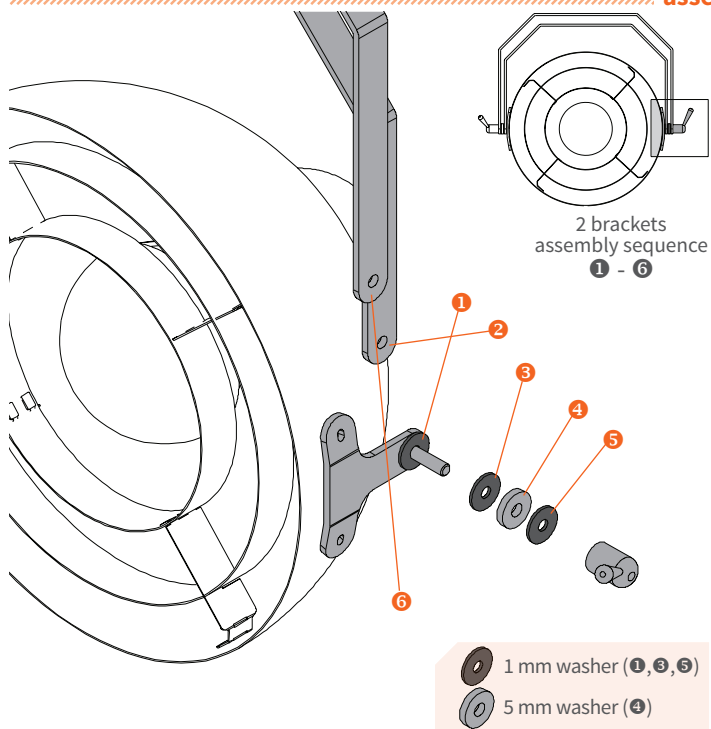


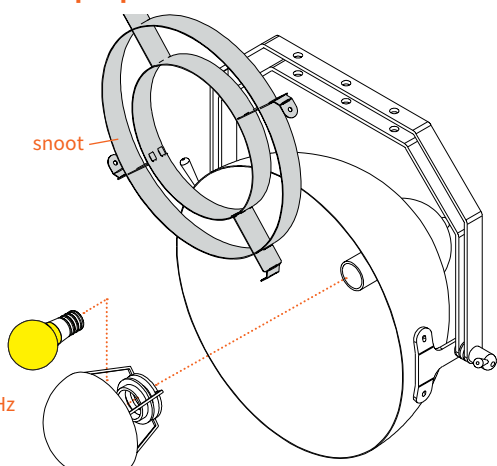
-  Designed for indoor use only
-  Electricity double insulated
-  CE Labeled
-  Do not disposed in the normal waste

## assembly



## lamp replacement

- step 1  
remove snoot
- step 2  
replace lamp
- step 3  
replace snoot



Input Voltage: 230 ~ 50 Hz  
Lamp: E27 60W max

## maintenance

Please do not use aggressive cleaning agents such as solvents and/or corrosive substances. Clean the product with a cloth and a soft detergent. After cleaning the product, dry it with a soft cloth. Check the product for worn, tearing and/or lost items. By wear and/or missing of the proper components this product should be immediately taken out of service. Consult your supplier for advise.

Repair / maintenance is only permitted by a qualified person. In case of doubt, consult your supplier.