

A0240471 Lugano Bar-9 WW

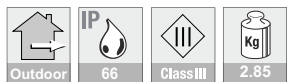
The Lugano-Bar-9 warm-white is the next generation of linear fixture, engineered with special over-sized optics to ensure the best balance between smooth light coverage and high intensity is achieved. Developed with on-board power supply and drivers, this IP66 fixture is suitable for a wide range of lighting applications. The sleek and modern design is crafted to enable flexible use in a wide range of architectural environments.

Technical specifications:

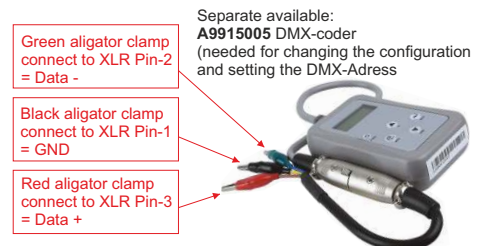
LED system: 9 LED's warm-white 3000K
 Optics: 16°
 Power consumption: max26W
 Lumen output: 689Lm
 Peak intensity: 6432cd
 Housing: Extruded Aluminium, silver-grey powder coated
 Protection: IP66
 Dimensions: 400 x 85 x 81.8mm
 Weight: 2.85kg

Operating Temperature: -40°C / +45°C
 Cooling system: Convection
 Input Voltage: 100-240VAC
 Control system: DMX
 DMX-channels: 1

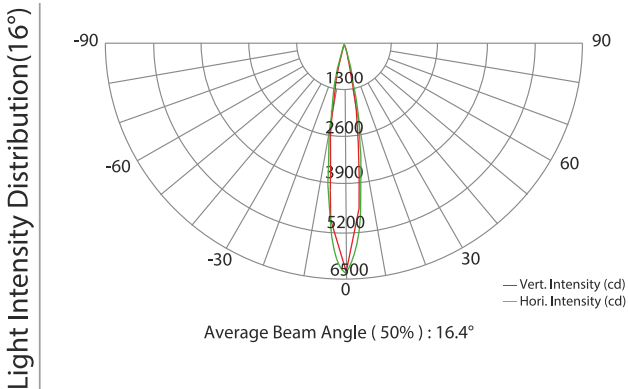
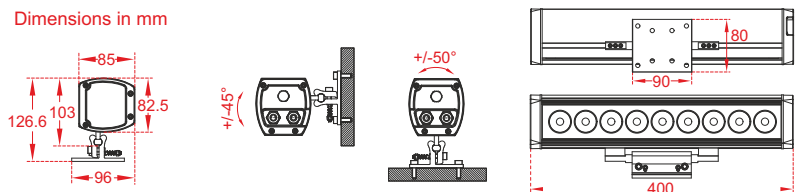
Attention: This high power LED fixture can not be installed under water



1. Specially developed optics provide a lighting fixture that offers an optimum combination of high intensity light output with even and smooth lighting coverage.
2. During installation a simple quick-lock mounting bracket is first installed to supporting surface. Lighting fixture is then installed by inserting fixture-mounted friction-rod into quick-lock mounting bracket. The full weight of lighting fixture is immediately supported by mounting bracket and securing bolts are only required for final fixture positioning.
3. Friction-rod can be mounted on either the side or base of the fixture providing increased flexibility in fixture installation.
 Further fixture positioning is possible by loosening securing bolts and adjusting tilt position.



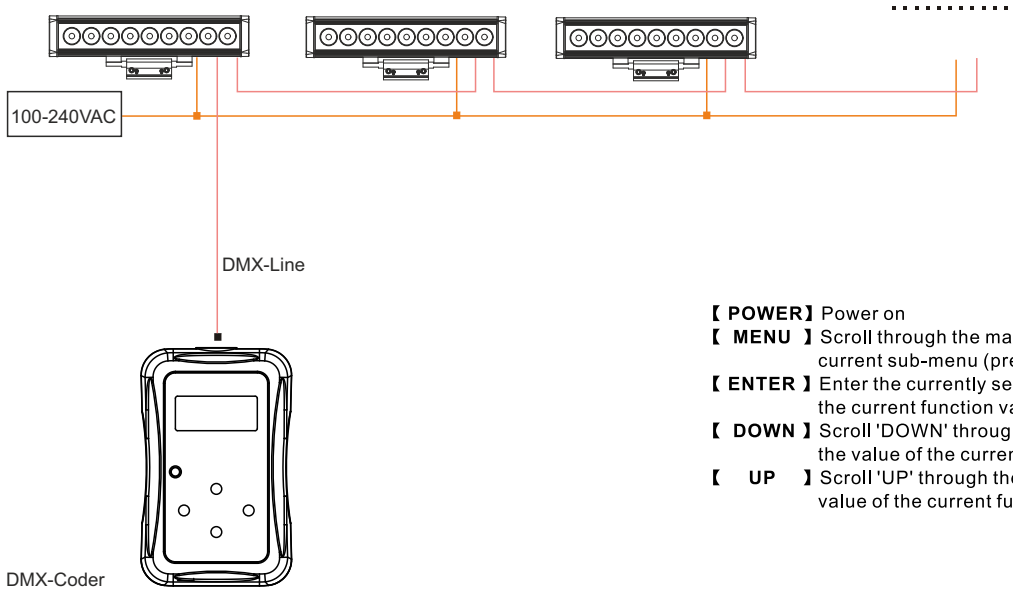
Dimensions in mm



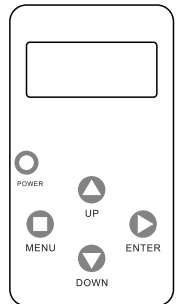
Height	Lugano Bar-9 WW	16.4°	Diam.	Eavg.	Emax.
1m			0.32m	4210 Lx	6430 Lx
2m			0.57m	1053 Lx	1608 Lx
4m			1.15m	263 Lx	402 Lx
6m			1.73m	178 Lx	178 Lx
8m			2.30m	66 Lx	100 Lx
10m			2.88m	42 Lx	64 Lx

Setting the Parameters for all fixtures together

- Connect the DMX Coder to the Units in series
- Set the DMX-address, Personality, Calibration and Dimmer through the DMX Coder
- A maximum of 20 Units in series can be set by the DMX-Coder at the same time
- All connected Units will be set with the same information

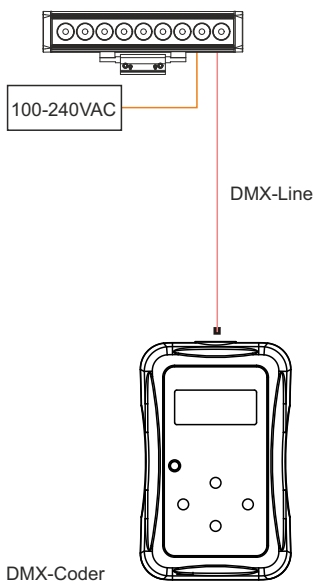


- 【 POWER 】** Power on
- 【 MENU 】** Scroll through the main menu or exit from the current sub-menu (press and hold to turn off power)
- 【 ENTER 】** Enter the currently selected menu or confirm the current function value
- 【 DOWN 】** Scroll 'DOWN' through the menu list or decrease the value of the current function
- 【 UP 】** Scroll 'UP' through the menu list or increase the value of the current function

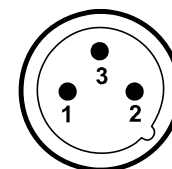


Setting the Parameters individual

- Connect the DMX Coder to the Unit
- Set the DMX-address, Personality, Calibration and Dimmer through the DMX Coder



DMX-OUTPUT

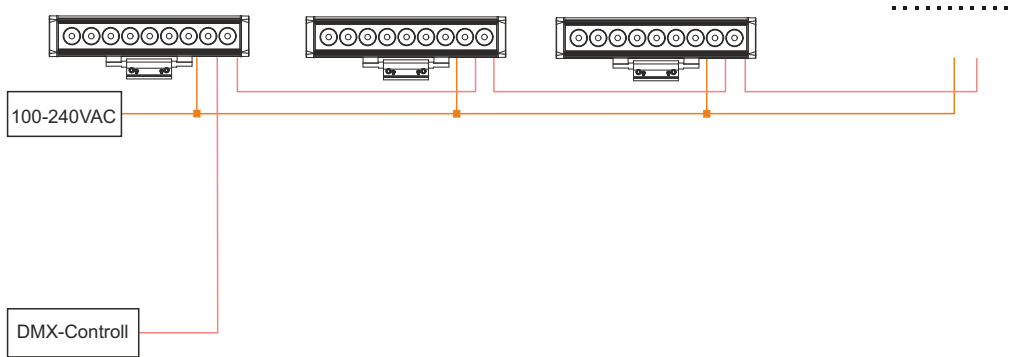


- 1 - GND
- 2 - Data (-)
- 3 - Data (+)



Controlling the Fixtures by DMX

- After configuring the Fixtures by the DMX-Coder, connect the DMX Controller to the first Unit
- A maximum of 32 Units can be set in one DMX-Line (Use a DMX-Splitter if more than 32 Units will be connected)



Controlling the Fixtures by DMX and using the wireless Transmitter & Receiver(s)

- After configuring the Fixtures by the DMX-Coder, connect the DMX Controller to the first Unit
- A maximum of 32 Units can be set in one DMX-Line
- Use a DMX-Splitter if more than 32 Units will be connected or use more Wireless Receivers

