

## A0240481 Lugano Bar-27 WW

The Lugano-Bar-27 WW is designed for applications that need seamless and perfect color mixing. Stretched over a 1.2m with separate sections of control, this product enables the creation of impressive dynamic effects on all kinds of monument, building, bridge and other architectural projects. Developed with on-board powersully and driver, this IP66 fixture is ideal for easy-installation.

### Technical specifications:

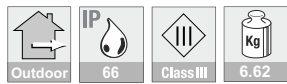
LED system: 27 LED's warm-white  
 Optics: 18°  
 Power consumption: max 98W  
 Lumen output: 2116Lm  
 Peak intensity: 16848cd  
 Housing: Extruded Aluminium, silver-grey powder coated  
 Protection: IP66  
 Dimensions: 1200 x 85 x 81.8mm  
 Weight: 6.62kg

Operating Temperature: -40°C / +45°C  
 Cooling system: Convection

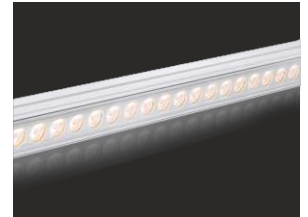
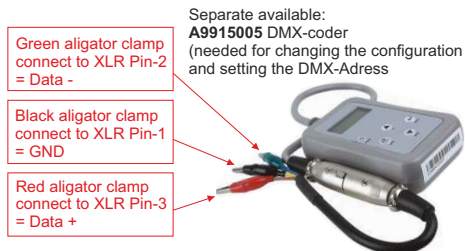
Input Voltage: 100-240VAC  
 Main connection: 3m cable (input only)

Controll system: DMX  
 Data connection: 3m cable input & 3m cable output  
 Controllable sections: 3

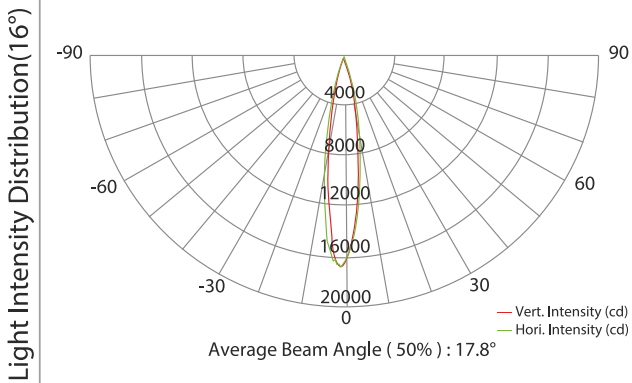
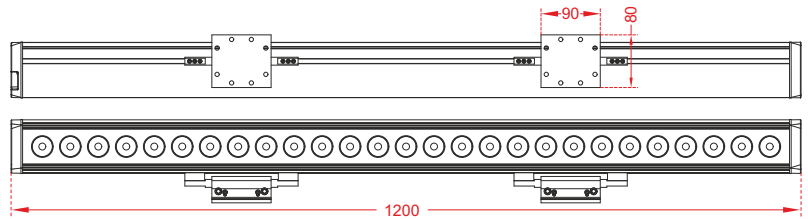
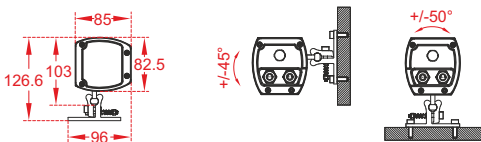
Attention: This high power LED fixture can not be installed under water



1. Specially developed optics provide a lighting fixture that offers an optimum combination of high intensity light output with even and smooth lighting coverage.
2. During installation a simple quick-lock mounting bracket is first installed to supporting surface. Lighting fixture is then installed by inserting fixture-mounted friction-rod into quick-lock mounting bracket. The full weight of lighting fixture is immediately supported by mounting bracket and securing bolts are only required for final fixture positioning.
3. Friction-rod can be mounted on either the side or base of the fixture providing increased flexibility in fixture installation. Further fixture positioning is possible by loosening securing bolts and adjusting tilt position.



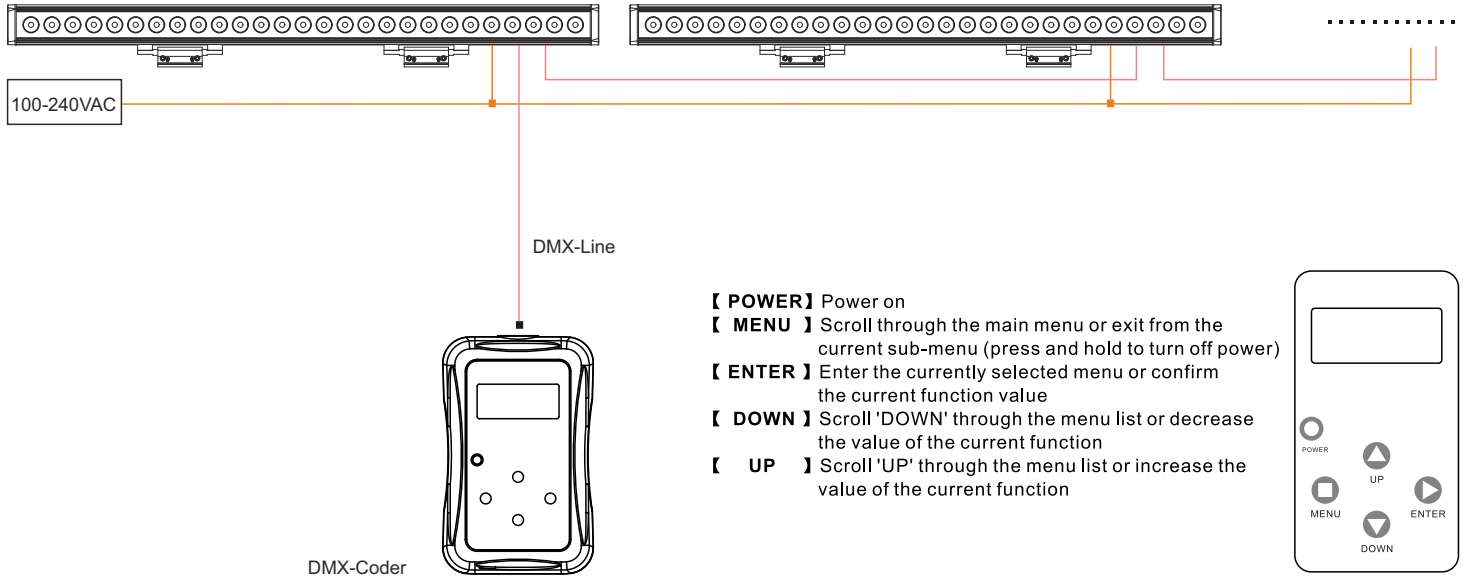
### Dimensions in mm



Height	Lugano Bar-27 WW 17.8°	Diam.	Eavg.	Emax.
1m		0.32m	11530 Lx	16844 Lx
2m		0.62m	2884 Lx	4211 Lx
4m		1.25m	721 Lx	1053 Lx
6m		1.88m	320 Lx	468 Lx
8m		2.51m	180 Lx	263 Lx
10m		3.13m	115 Lx	168 Lx

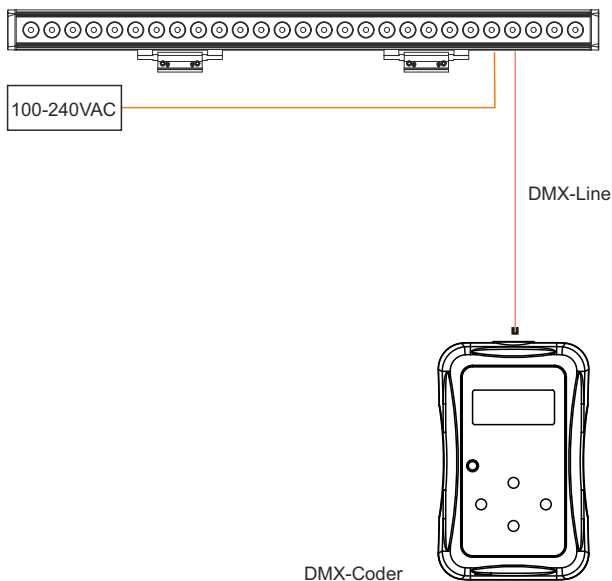
## Setting the Parameters for all fixtures together

- Connect the DMX Coder to the Units in series
- Set the DMX-address, Personality, Calibration and Dimmer through the DMX Coder
- A maximum of 20 Units in series can be set by the DMX-Coder at the same time
- All connected Units will be set with the same information

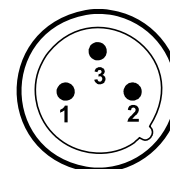


## Setting the Parameters individual

- Connect the DMX Coder to the Unit
- Set the DMX-address, Personality, Calibration and Dimmer through the DMX Coder



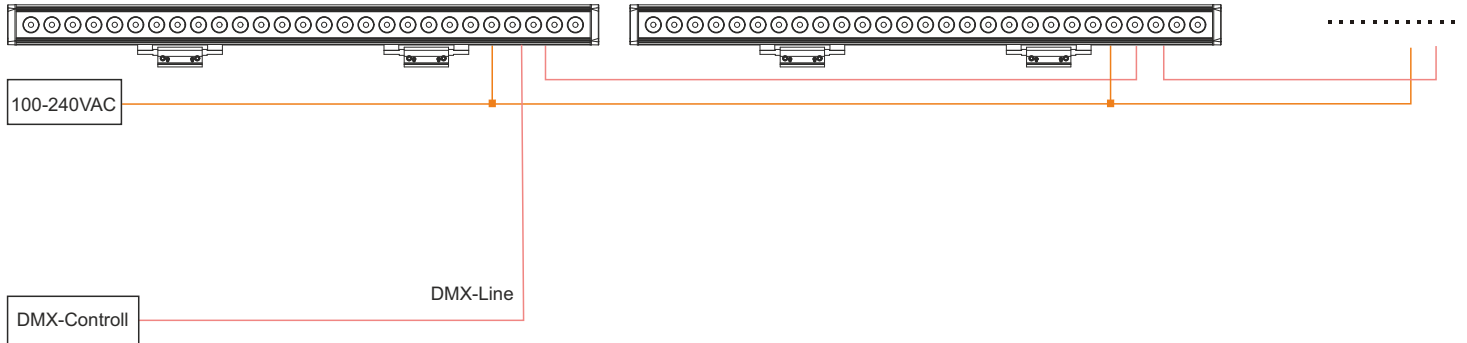
## DMX-OUTPUT



- 1 - GND  
 2 - Data (-)  
 3 - Data (+)

## Controlling the Fixtures by DMX

- After configuring the Fixtures by the DMX-Coder, connect the DMX Controller to the first Unit
- A maximum of 32 Units can be set in one DMX-Line (Use a DMX-Splitter if more than 32 Units will be connected)



## Controlling the Fixtures by DMX and using the wireless Transmitter & Receiver(s)

- After configuring the Fixtures by the DMX-Coder, connect the DMX Controller to the first Unit
- A maximum of 32 Units can be set in one DMX-Line
- Use a DMX-Splitter if more than 32 Units will be connected or use more Wireless Receivers

